

FRONT ASH DRAWER

Cut and bend

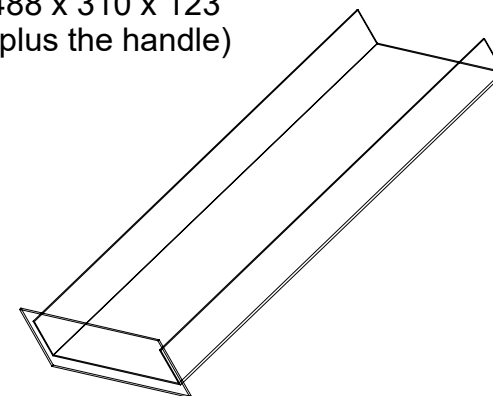
End Cap
Goes inside the end
of the housing

KG5.2.1.0.09 Front Ash Drawer - BEND

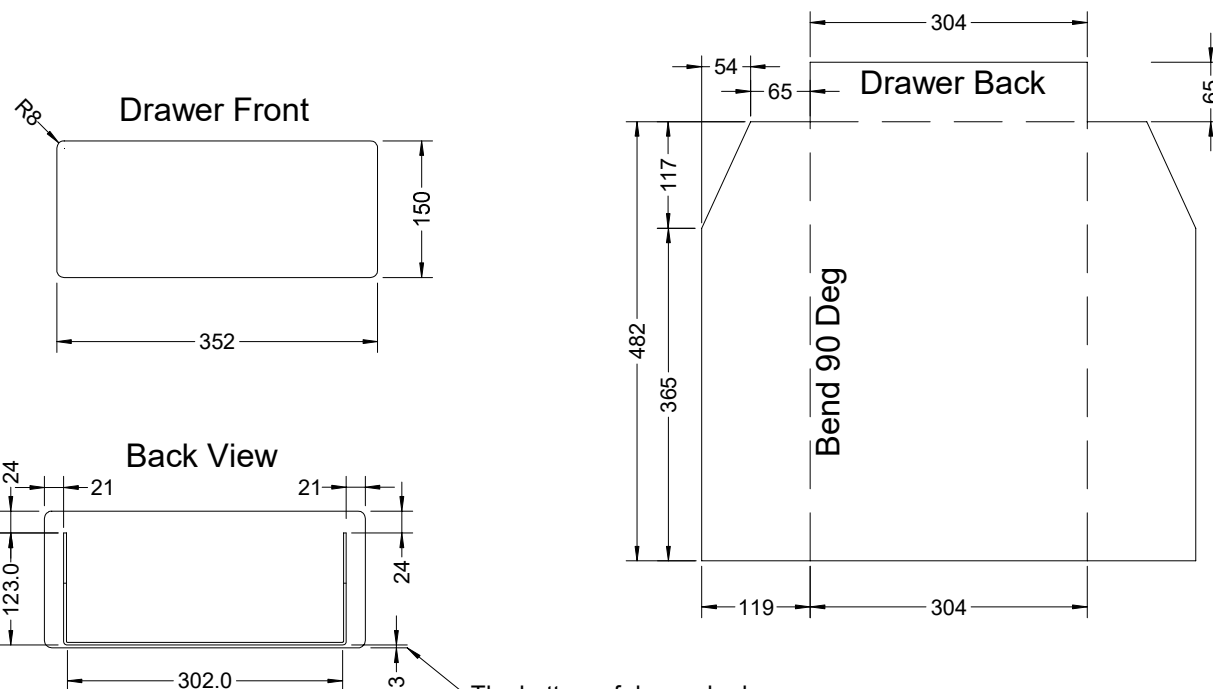
Model MN5.2
Version 1.0
30 Jan 2018

C Pemberton-Pigott

Outside dimensions
488 x 310 x 123
(plus the handle)



Add any suitable
handle



The bottom of drawer body
is 3mm above the bottom
of the Drawer front

Important

The Ash Drawer Housing must be mounted so the open end is flush with the end of the stove body, not recessed. The drawer front must completely close air gaps so no air can enter around the ash drawer.

